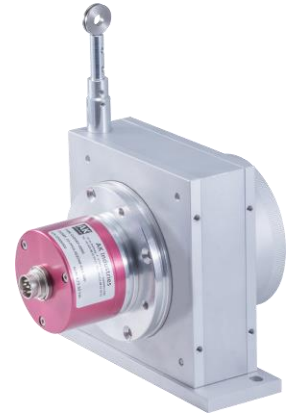


CD120L incremental output - Measurement range 0 up to 3500 mm

Specifications :

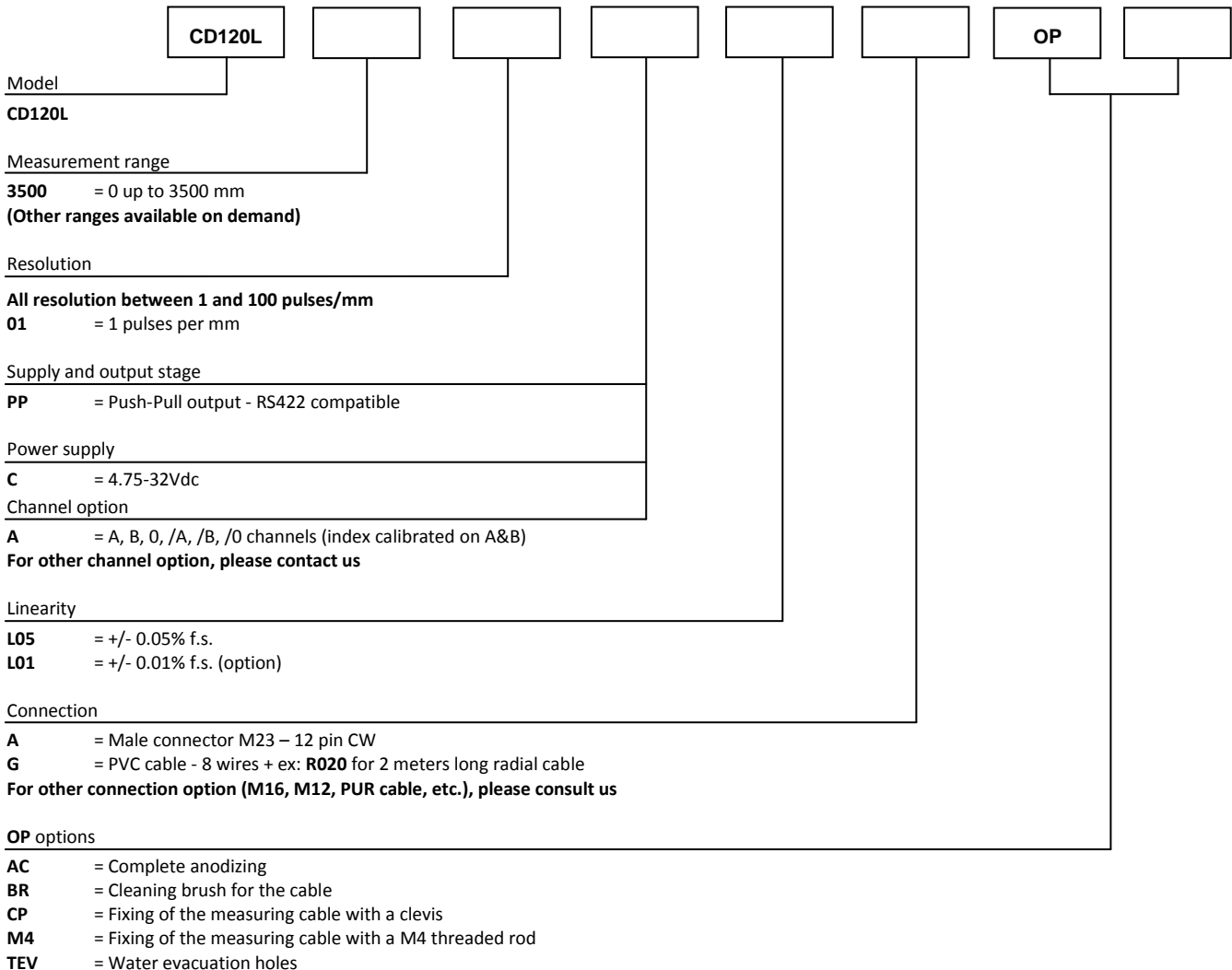
Measurement range	0 up to 3500 mm
Sensing device	Incremental encoder
Supply and output stage	4.75 – 32VDC
Resolution	All resolution between 1 and 100 pulses per mm
Material	Body and cover - aluminium (RohS) Measuring cable - Stainless steel
Cable diameter	0,60 mm
Connection	Male connector M23 – 12 pin CW Male connector M23 – 12 pin CCW PVC cable – 8 wires
Standard linearity	+/- 0,05% f.s. +/- 0,01% f.s. (optional)
Protection class	IP65
Max. Velocity	10 m/s
Max. Acceleration	7 m/s ² (before cable deformation)
Weight	≈ 2000 g
Operating temperature	-20° to +85°C
Storage temperature	-40° to +85°C



Cable forces:

Measurement range in mm	Min. pull-out force	Max. pull-out force
3500	≈ 13,00 N	≈ 18,00 N

Ordering reference:



Reference example: CD120L-3500-05-PPCA-L05-G02A-OP-AC-M4

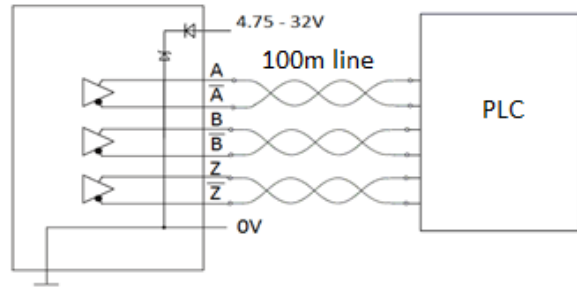


Tel : +33 (0)3 88 02 09 02 / Fax : +33 (0)3 88 02 09 03 / E-mail : info@ak-industries.com / Web : http://www.ak-industries.com

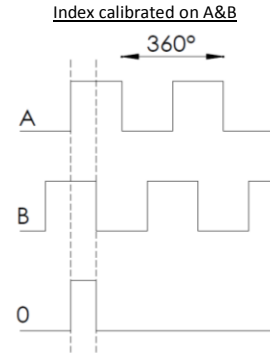
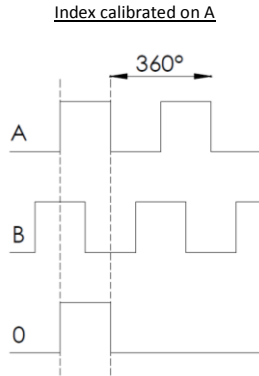
Electrical characteristics

PP version (Push-pull - RS422 compatible)

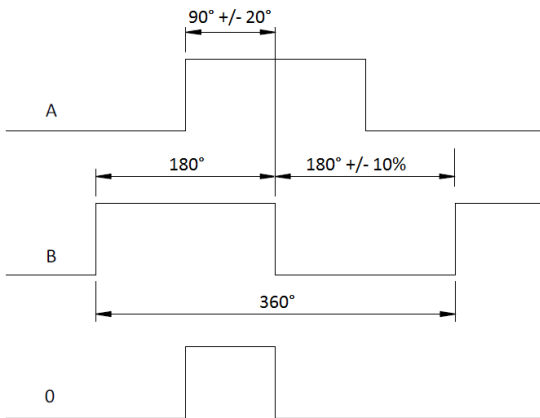
Supply : 4,75 - 32VDC
 Consumption without load : 40 mA
 Protected against over voltage,
 Polarity inversion and overcurrent



Output signals



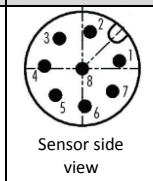
Signals tolerance



B channel (rising edge) before A when the cable is pulled out

Standard connection (Type 1)

Standard connection	Male connector M12 - 8 pins	Cable - 8 wires
Supply -	1	White
Supply +	2	Brown
A	3	Green
B	4	Yellow
O	5	Grey
A/	6	Pink
B/	7	Blue
O/	8	Red



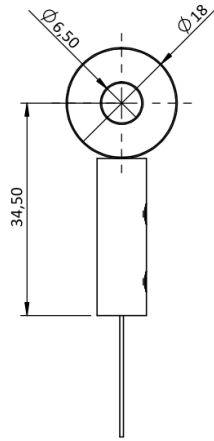
Tel : +33 (0)3 88 02 09 02 / Fax : +33 (0)3 88 02 09 03 / E-mail : info@ak-industries.com / Web : http://www.ak-industries.com

Options:

Cable attachment with a lug :

Standard

The attachment lug is fixed with a M6 screw or a clevis.



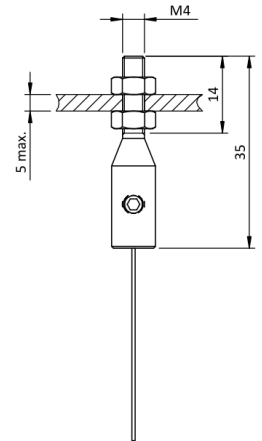
Cable attachment fitted with a M4 threaded rod:

OP-M4

The rod attachment uses a threaded rod with 2 nuts (provided). The required thickness of the plate does not exceed 5 mm.

Caution

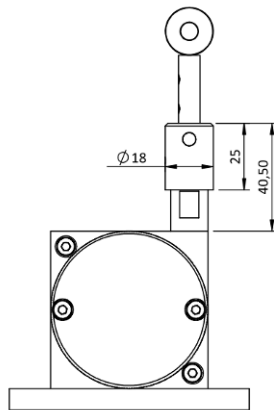
Never screw the threaded rod into a fixed nut, a twist of the measurement cable would damage it.



Cable dust wiper:

OP-BR

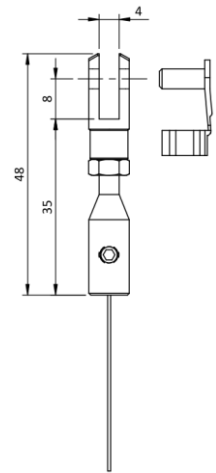
The dust wiper cleans the cable in dusty or humid environments.



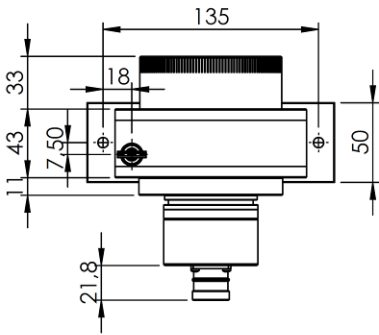
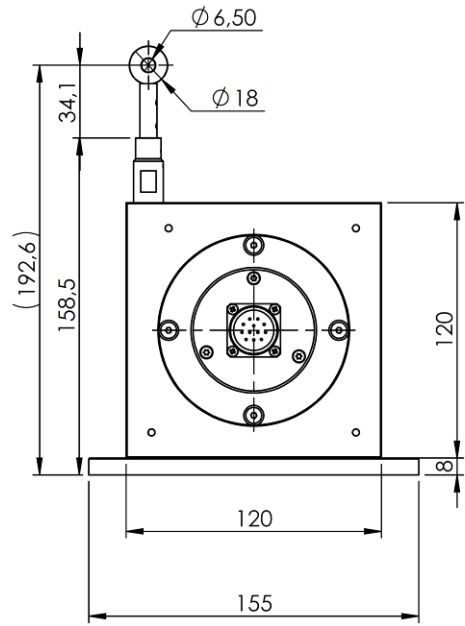
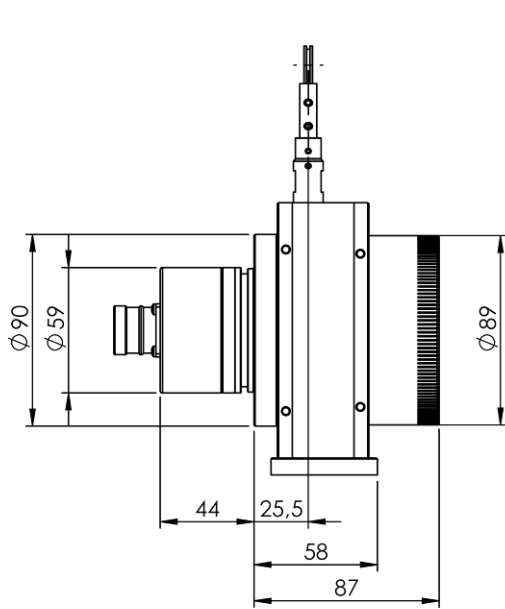
Cable attachment with a clevis :

OP-CP

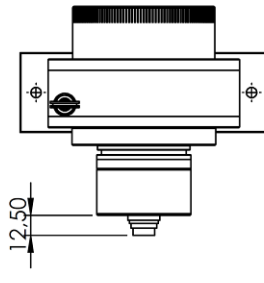
The attachment of the clevis is done using a pin (provided).



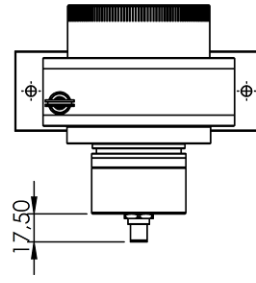
Dimensional drawing



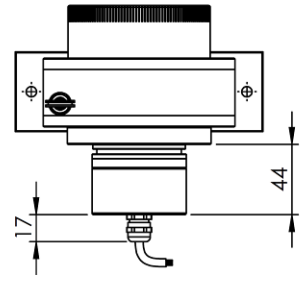
Axial M23 connector



Axial M16 connector

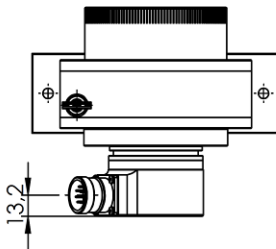


Axial M12 connector

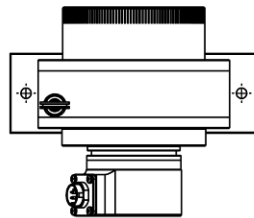


Axial stuffing box

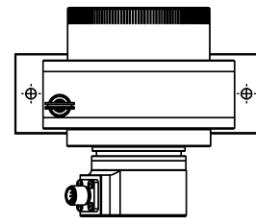
Radial M23 connector



Radial M16 connector



Radial M12 connector



Radial stuffing box

