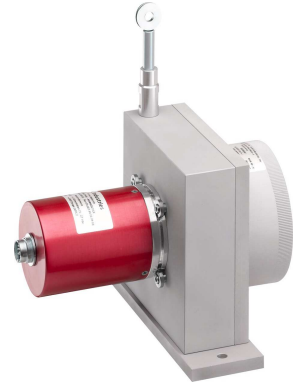


CD115 potentiometric output – Measurement range 0 up to 3000 mm

Specifications:

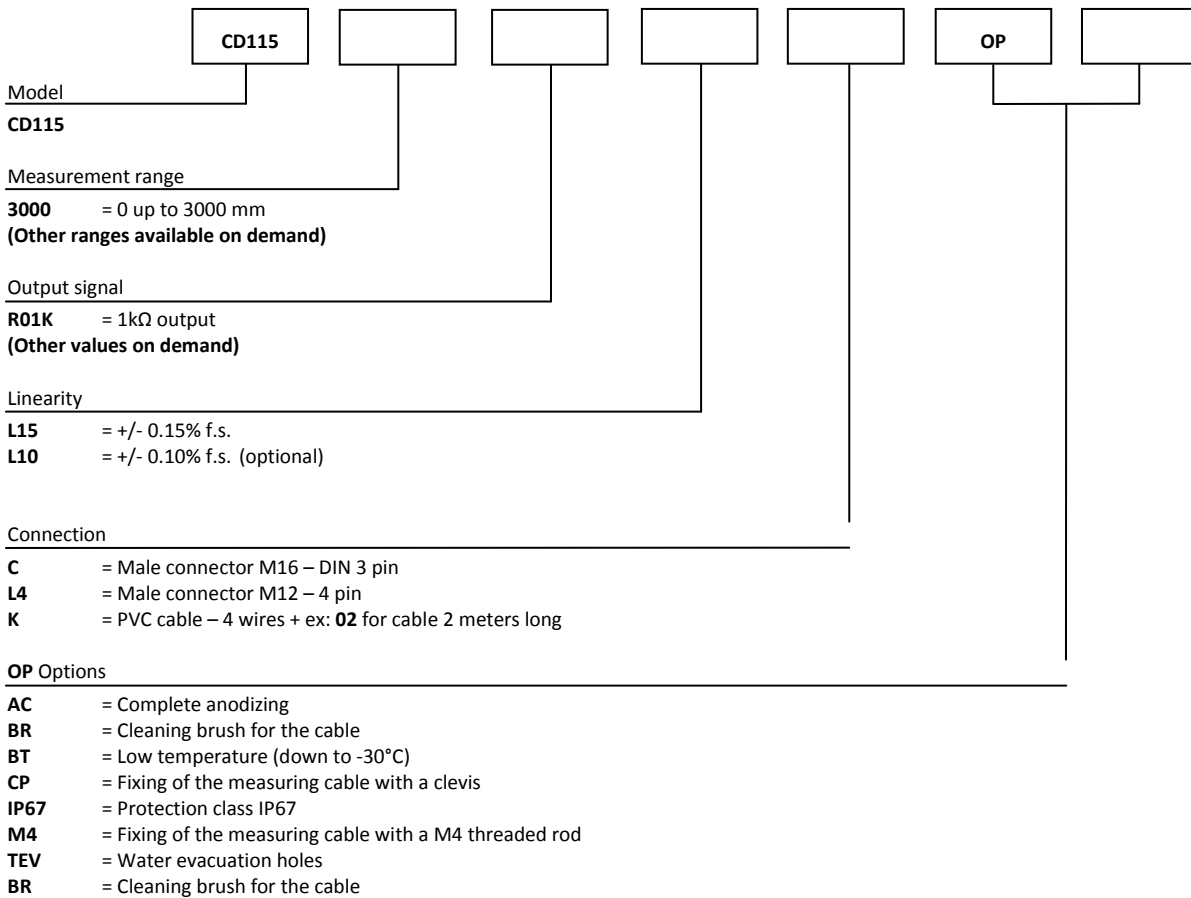
| | |
|-----------------------|---|
| Measurement range | 0 up to 3000 mm |
| Output signal | 1k Ω potentiometer (other values on demand) |
| Resolution | Quasi infinite (depends on the operating system) |
| Material | Body and cover - Aluminium (RohS) Measuring cable – Stainless steel |
| Cable diameter | 0,60 mm |
| Detection element | Multi-turn Hybrid potentiometer |
| Connection | Male connector M16 – DIN 3 pin Male connector M12 – 4 pin PVC cable – 4 wires |
| Standard linearity | +/- 0,15% f.s. +/- 0,10% f.s. (optional) |
| Protection class | IP54 (option IP67) |
| Max. Velocity | 10m/s |
| Max. Acceleration | 7 m/s ² (before cable deformation) |
| Weight | \approx 2000 g |
| Operating temperature | -20° to +80°C |
| Storage temperature | -30° to +80°C |



Cable forces:

| Measurement range in mm | Min. pull-out force | Max. pull-out force |
|-------------------------|---------------------|---------------------|
| 3000 | \approx 13,50 N | \approx 18,00 N |

Ordering reference:



Reference example: **CD115-3000-R01K-L15-K02-OP-AC-M4**



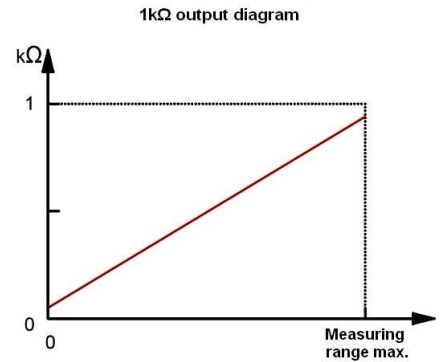
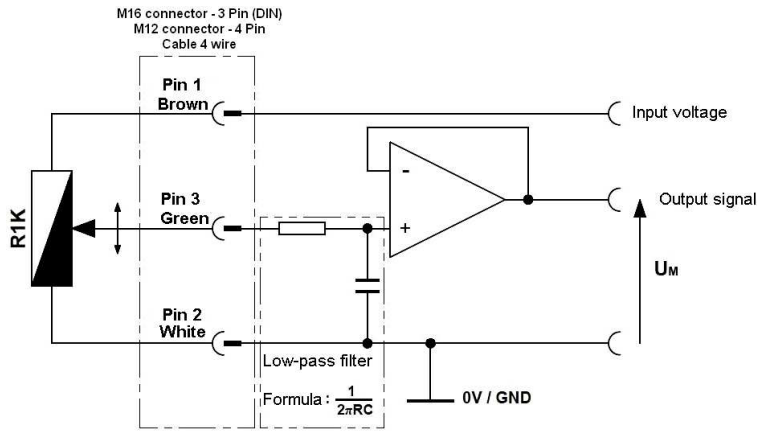
Tel : +33 (0)3 88 02 09 02 / Fax : +33 (0)3 88 02 09 03 / E-mail : info@ak-industries.com / Web : <http://www.ak-industries.com>

Electrical characteristics :

Potentiometric version 1 kΩ : (other values on demand)

Temperature drift +/-50 ppm/°C

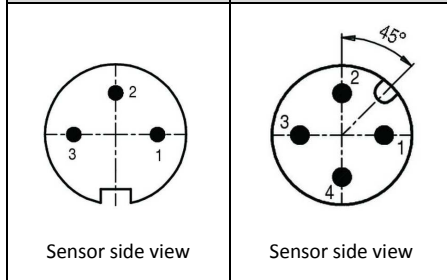
Example of wiring diagram with input stage :



To ensure a good linearity, wire the potentiometer as a voltage divider and never as a rheostat. The input resistance of the operating system must be very high (greater than 10MΩ)

Connection :

| Male connector M16 3 pin (DIN) | Male connector M12 4 pin (DIN) | PVC cable 4 wire | R01K |
|-----------------------------------|-----------------------------------|---------------------|-------------------|
| 1 | 1 | Brown | Input voltage + |
| 2 | 2 | White | Input voltage GND |
| 3 | 3 | Green | Signal + |

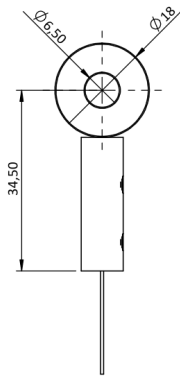


Options :

Cable attachment with a lug :

Standard

The attachment lug is fixed with a M6 screw or a clevis.



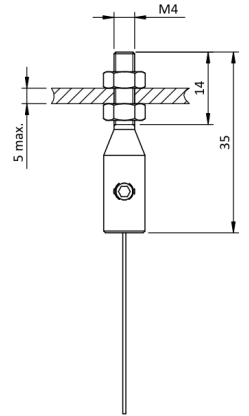
Cable attachment fitted with a M4 threaded rod:

OP-M4

The rod attachment uses a threaded rod with 2 nuts (provided). The required thickness of the plate does not exceed 5 mm.

Caution

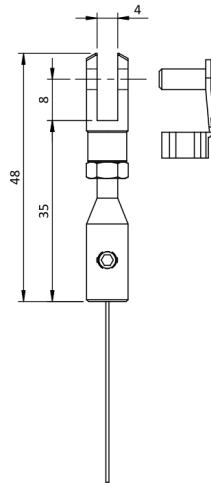
Never screw the threaded rod into a fixed nut, a twist of the measurement cable would damage it.



Cable attachment with a clevis :

OP-CP

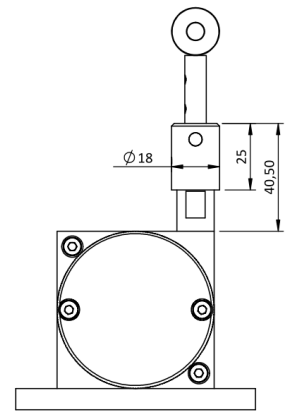
The attachment of the clevis is done using a pin (provided).



Cable cleaning brush:

OP-BR

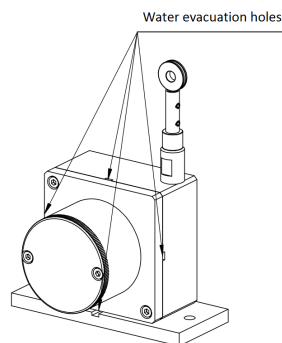
The cleaning brush wipes the cable in dusty or humid environments.



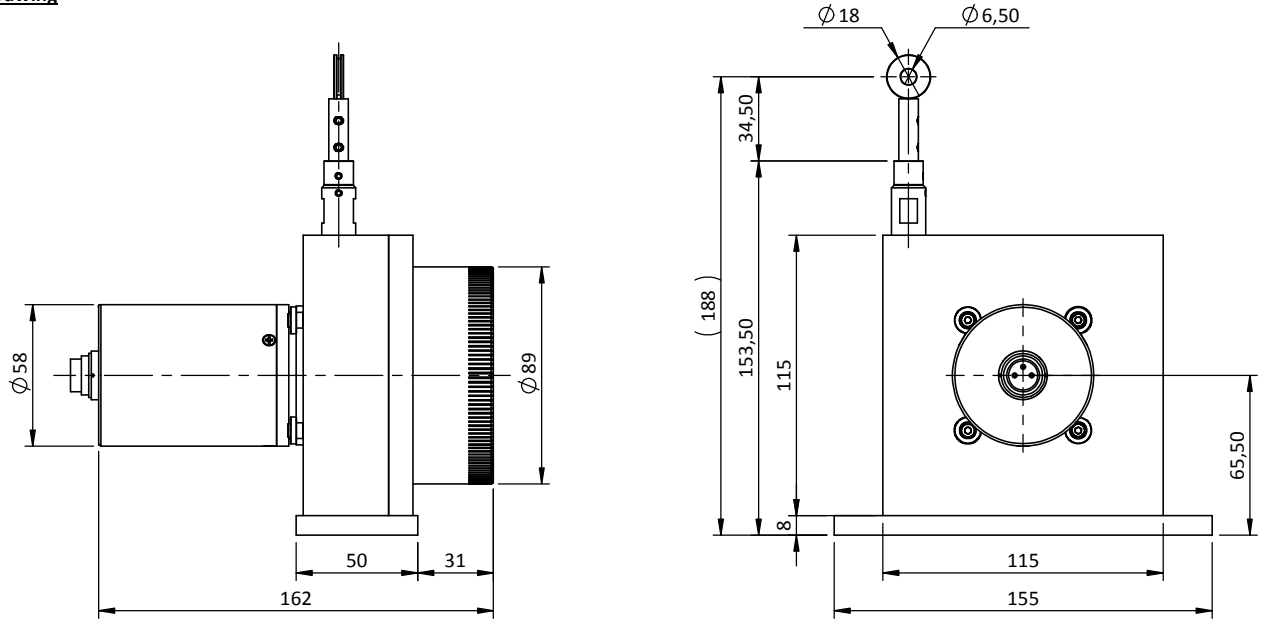
Water evacuation holes:

OP-TEV

The holes allow the natural flow of fluids out of the sensor in order to avoid their accumulation in the system.



Dimensional Drawing



K connection
(PVC cable - 4 wires)

L4 connection
(connector M12 - 4 pin)

C connection
(Connector M16 - DIN 3 pin)

